

s.34 NPT

1/8"-1/2"

drawn brass ball valves



Quality:

- 24h 100% seal test guaranteed
- Dual sealing system allows valve to be operated in either direction making installation easier
- No metal-to-metal moving parts
- No maintenance ever required
- Silicone-free lubricant on all seals
- Chrome plated brass ball for longer life

Body:

- One piece drawn sand blasted brass body incorporating stem neck which provides excellent guidance of the stem
- Finest brass according to EN 12164 specification

Stem:

- Two FPM O-rings at the stem for maximum safety

Seals:

- Pure PTFE self-lubricating seats with flexible-lip design

Threads:

- NPT taper ANSI B. 1.20.1 Female by Female threads

Handle:

- Lever and T-handle clearly show ball position
- Reinforced nylon black lever or T-handle removable with valve in service

Working Pressure:

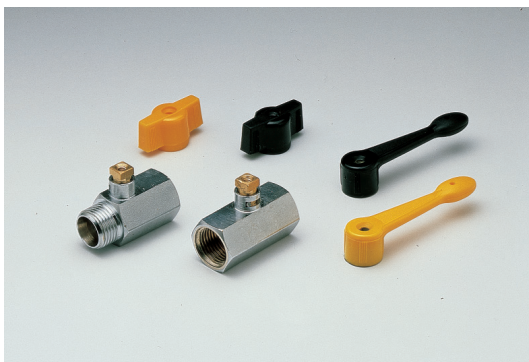
- 200 PSI
- non-shock cold working pressure

Working Temperature:

- -4°F / +200°F
- Warning: freezing of the fluid in the installation may severely damage the valve

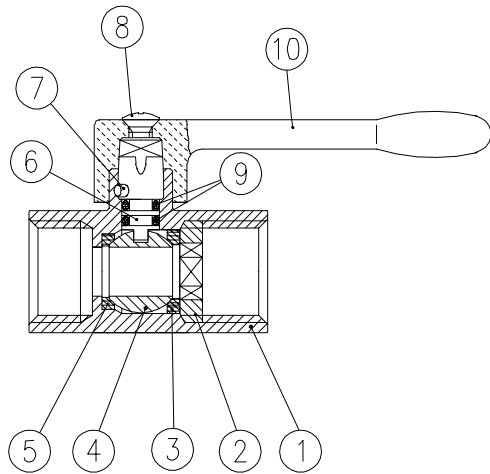
Options:

- Male by Female threads
- Screw driver or wrench operated
- Yellow lever or T-handle
- ISO 228 parallel threads



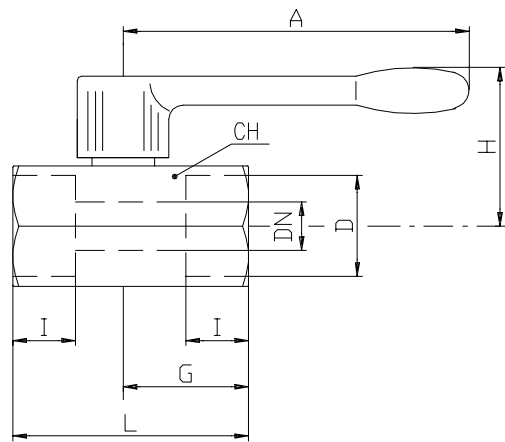
Approved by or in compliance with:

- GOST-R (Russia)
- Hygiene and epidemic center in Moscow city (Russia)
- UkrSepro (Ukraine)
- RoHS Compliant
- EAC - Declaration of conformity (Russia-Kazakhstan-Belarus)



NOTE: Approvals apply to specific configurations/sizes only.

Part Description	Q.ty	Material
1 Chrome plated body	1	CW617N
2 Retainer nut	1	CW617N
3 Retainer seat	1	PTFE
4 Chrome plated ball	1	CW617N
5 Body seat	1	PTFE
6 Unplated stem	1	CW617N
7 Pin	1	AISI304
8 Zinc plated screw	1	C4C
9 O-Ring	2	FPM
10 Black handle	1	Nylon glass filled 30%

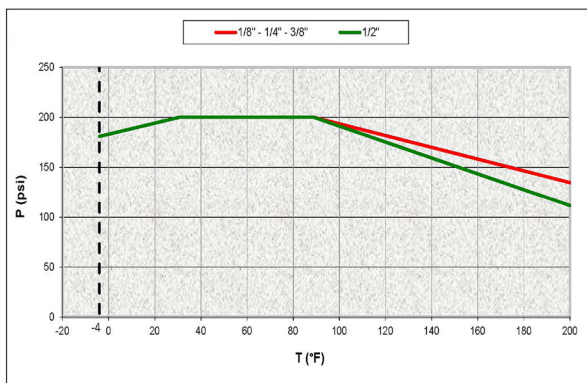


Code	S34AX0	S34BX0	S34CX0	S34DX0
D (inch)	1/8	1/4	3/8	1/2
DN(inch)	0.236	0.314	0.314	0.393
I (inch)	0.354	0.472	0.472	0.610
L (inch)	1.712	1.712	1.712	2.106
G (inch)	0.905	0.905	0.905	1.102
A (inch)	2.834	2.834	2.834	2.834
H (inch)	1.200	1.200	1.200	1.279
CH(inch)	0.826	0.826	0.826	0.984

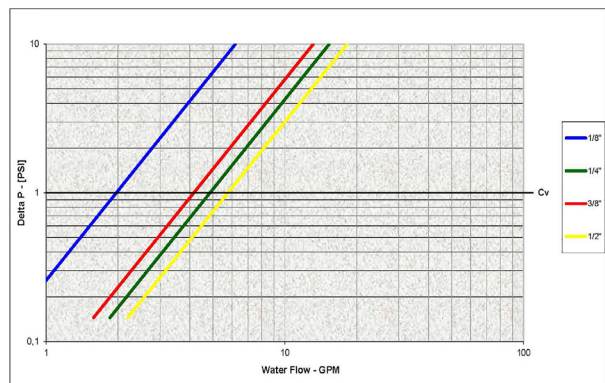
DN shows the nominal flow diameter.

Ask for additional information on the whole range of **RuB** valves and consult with your supplier for special applications.

Pressure-Temperature Chart



Pressure Drop Chart



The company reserves all rights for the information contained herein. Products may be changed at any time without notice. Any undated reference to a code or standard shall be interpreted as referring to the latest edition. **RuB** and logo are registered trademarks of **RuB**-Rubinetteria utensilerie Bonomi. Other logos and registered trademarks are property of respective owners.

XCES34N - Rev: 3702